

SMART RUGGED POWERFUL HOME ENERGY STORAGE

MAGELLAN HESS

One of the most cost effective residential energy storage systems available, HESS has been specifically designed for reliability and durability in the harsh Australian conditions.

Made in Australia, The All In One Magellan Home Energy Storage System (HESS) converts sun energy into useable power and stores it in high performance lithium batteries, allowing you to use your solar power at night or on cloudy days.

This combined with a smart bi-directional energy manager that takes advantage of cheap, off-peak power to recharge the batteries, substantially reducing the cost of your electricity.



EASY TO INSTALL

MONITOR VIA MOBILE

HOME ENERGY STORAGE

H E S S

MAGELLAN POWER

- Made in Australia for Australian conditions
- All in 1 design
- Charges from solar panels and the grid
- Control via your mobile phone or tablet
- Smart & simple to use
- Fast and easy to install
- Advanced Lithium batteries
- Stylish design
- Intelligent energy management
- Durable indoor/outdoor aluminium enclosure
- UPS function



- Monitor your HESS from your phone or tablet
- Easy to track your power usage and storage
- WiFi Connection
- Internet of Things ready
- Trade your solar power when it is worth more

BATTERY STORAGE

- State of the art battery technology
- Easy to use
- Sunspec Compliant
- Microgrid compatible
- Simple and quick capacity upgrade
- Complies current & proposed standards

FEATURES:

- Available in 6.5 and 13kWh
- Powerful inverter 5kVA
- Expandable modular battery design
- Energy trading ready
- Easily assembled & disassembled
- Intelligent Energy Management
- Easy to use colour touchscreen
- Easy WiFi connect
- Installation under eaves/ in garage
- Mobile App & Online Portal
- Monitoring
- High efficiency power conversion
- Internet of Things (IoT) ready
- Hybrid Design - solar & grid charging
- Compatible with existing solar installation

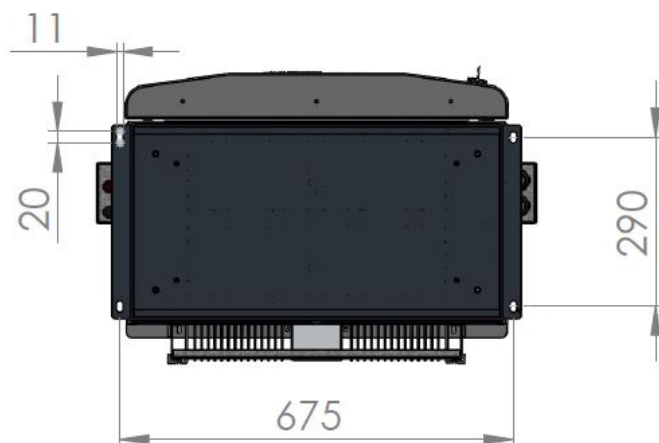
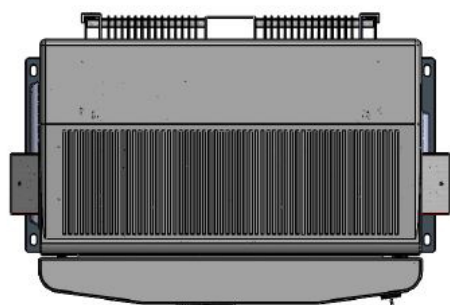
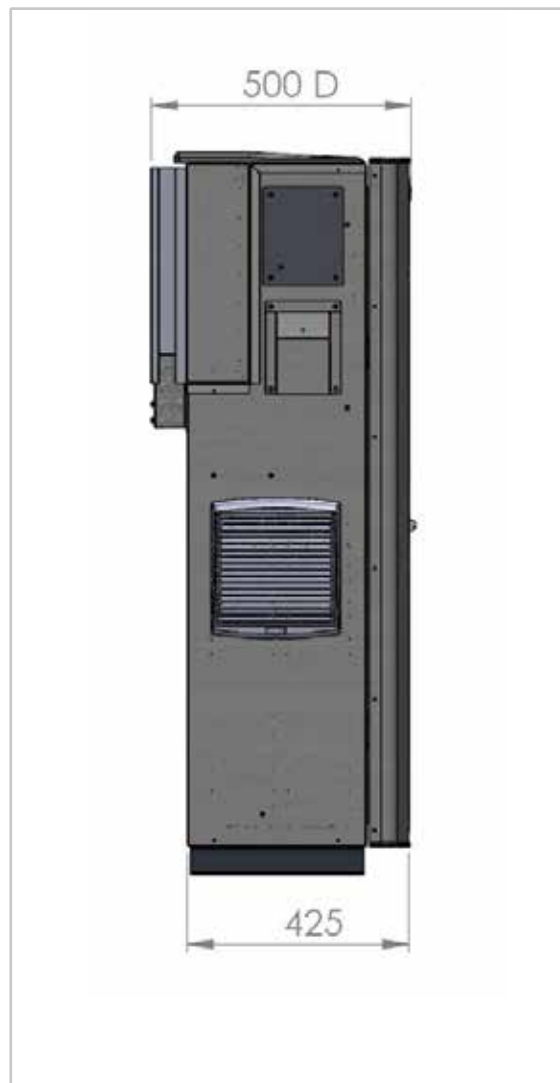


BATTERIES:

- High energy density
- Compact, lightweight batteries
- Expandable modular design
- LG Chem - worldwide battery supplier

SMART RUGGED POWERFUL ENERGY STORAGE

DIMENSIONS



SPECIFICATIONS

MODEL	HESS
Nominal Capacity	4.6kW
Input/Output Phases	Single Phase
Standards Compliance	AS4777-2/-3 AS3100/ IEC62109-1/-2 IEC62040-1 IEC61000 IEC61233/ UL1642
Maximum Humidity	95% R.H, Non condensing
Cooling	Passive cooling with fan assist
Enclosure	Indoor/outdoor
Base Model Weight	Approx. 150kg (1 module configuration)
Maximum Weight	Approx. 190 kg
Material Finish	Premium grade powder coating
Dimension (WxDxH)	1350mmH x 650mmW x 450mmD
User Interface	Colour touch screen 4:3"
Remote Monitoring Interfaces	Magellan Portal Smartphone App (Android and iPhone)
Communications Interface	Wifi USB
System Setup Software	Included
Data Logging	Internal non-volatile memory and cloud storage
Inverter Specifications AC	
Nominal AC Power	4.6 kW
Back Up Power	4.6kW - Overload 1.5 times for 10 seconds
Max AC Current	20A
AC Overcurrent Protection	32A
Nominal AC Output	50Hz; 230VAC
AC Input Range	45-55Hz; 180-270Vac
AC Current T.H.D	<1.5%
AC Output (Backup Option)	230 Vac \pm 2%, 50Hz \pm 0.2%
AC Voltage T.H.D	<3% (Linear Load)
Power Factor	0.8 leading ~ 0.8 lagging (Control Range)
Efficiency (euro)	97%
Ambient Temperature Range	- 20°C ~ 60°C (>45°C derating)
UPS Transfer Time	<10ms

SPECIFICATIONS

INVERTER SPECIFICATION DC	
Battery Charging Current	100A continuous
SPECIFICATION PV	
Max PV Array Size	6000W
Max PV Voltage	580V
PV Voltage Range	125V - 580V
Starting Voltage	125 V
Max PV Current	11A (per string)
PV Overcurrent Protection	14A
No. of PV Connectors	2
No. of MPPTs	2
MPPT Adaption Efficiency	99.5%
BATTERY MODULE SPECIFICATIONS	
Cell Generation	JH3
Maximum Modules	2
Battery type	Advanced Lithium Ion (NMC)
Charging/ Discharging Current	125A
Battery Brand	LG Chem
Nominal Voltage	51.8 V
Voltage Range	42 - 58.8 V
Nominal Battery Capacity (per module)	6.5 kWh
Battery Cycle Life	>4000 times @ 90% 6.5kWh DOD @ 25°C
Performance Warranty	10 years @ 25°C
Battery Operating Temperature Range	0°C - 45°C
Dimension (WxDxH)	110mmH x 445mmW x 587mmD
Weight	Depends on batteries